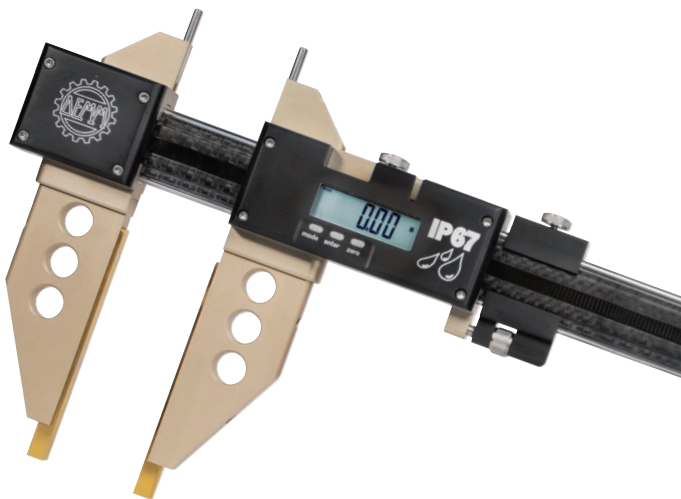




## Measuring instruments and systems



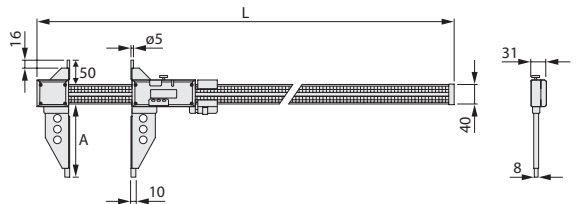
more than  
**75** years  
of quality  
in Europe

precision measuring instruments  
mechanical - optical - electronical

## DEMM ARGO C BD digital carbon workshop calipers IP67

Workshop calipers with long measuring jaws and an ultra-lightweight carbon fiber construction that saves up to 65% weight over a steel workshop caliper. The circular steel guide at the bottom and top prevents deflection and achieves higher accuracy.

- Measuring range: 0 - 2000 mm.
- Resolution: 0.01 mm.
- mm/inch conversion.
- RS232 data output.
- On/off switch.
- Reset/preset.
- Fine adjustment.
- Locking screw.
- Protection: IP67.
- TiN coated measuring jaws.
- Cylindrical measuring pins  $\varnothing 5$  mm for internal measurements.
- Delivery in a wooden case with a manufacturer measuring report.
- Power supply: 1 battery type CR2032.

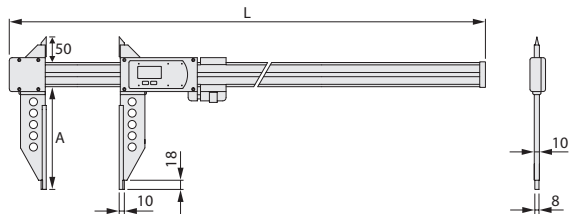


Item No.	Measuring range/mm	Accuracy mm	Jaw length A/mm	Weight kg	Length L/mm	Price EUR
842.158	0 - 800	$\pm 0.04$	150	1.700	1050	
842.159	0 - 1000	$\pm 0.04$	150	1.900	1250	
842.160	0 - 1000	$\pm 0.04$	200	2.030	1250	
842.161 <sup>1</sup>	0 - 1500	$\pm 0.05$	150	2.250	1750	
842.162 <sup>1</sup>	0 - 1500	$\pm 0.05$	200	2.380	1750	
842.163 <sup>1</sup>	0 - 2000	$\pm 0.06$	150	2.650	2250	
842.164 <sup>1</sup>	0 - 2000	$\pm 0.06$	200	2.780	2250	
<b>Option:</b>						
495.157	Battery type CR2032					

<sup>1</sup> Delivery ex Groningen, Netherlands.

## DEMM ZEUS extra large digital carbon workshop calipers

- Measuring range: 0-3000 mm.
- Resolution: 0.01 mm.
- mm/inch conversion.
- RS232 data output.
- On/off switch.
- Reset/preset.
- Fine adjustment.
- Locking screw.
- Protection: IP54.
- TiN coated measuring jaws.
- Delivery in a wooden case with a manufacturer measuring report.
- Power supply: 1 battery type CR2032.



Item No.	Measuring range/mm	Accuracy mm	Jaw length A/mm	Weight kg	Length L/mm	Price EUR
838.291 <sup>1</sup>	0-2500	±0.07	200	3.700	2810	
839.063 <sup>1</sup>	0-2500	±0.08	300	3.900	2810	
837.847 <sup>1</sup>	0-3000	±0.08	200	4.000	3310	
839.064 <sup>1</sup>	0-3000	±0.09	300	4.200	3310	
<b>Option:</b>						
495.157	Battery type CR2032					

<sup>1</sup>Delivery ex Groningen, Netherlands.

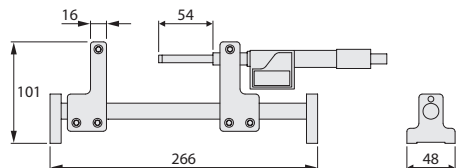
## DEMM Pallas dial indicator tester

Dial indicator tester for dial indicators up to 50 mm (using digital micrometer head 909.900). The value of the dial indicator is compared with the digital micrometer head. Easy to clamp and easy to read with the digital display.

- Dial indicator tester for dial indicators up to 50 mm (using digital micrometer head 909.900).
- Adjustable holders.
- Clamping shaft dial indicator 8 mm.
- Clamping shaft micrometer head 12 mm.
- Possibility to check the dial indicator forward and backward (hysteresis).
- Excluding micrometer head.



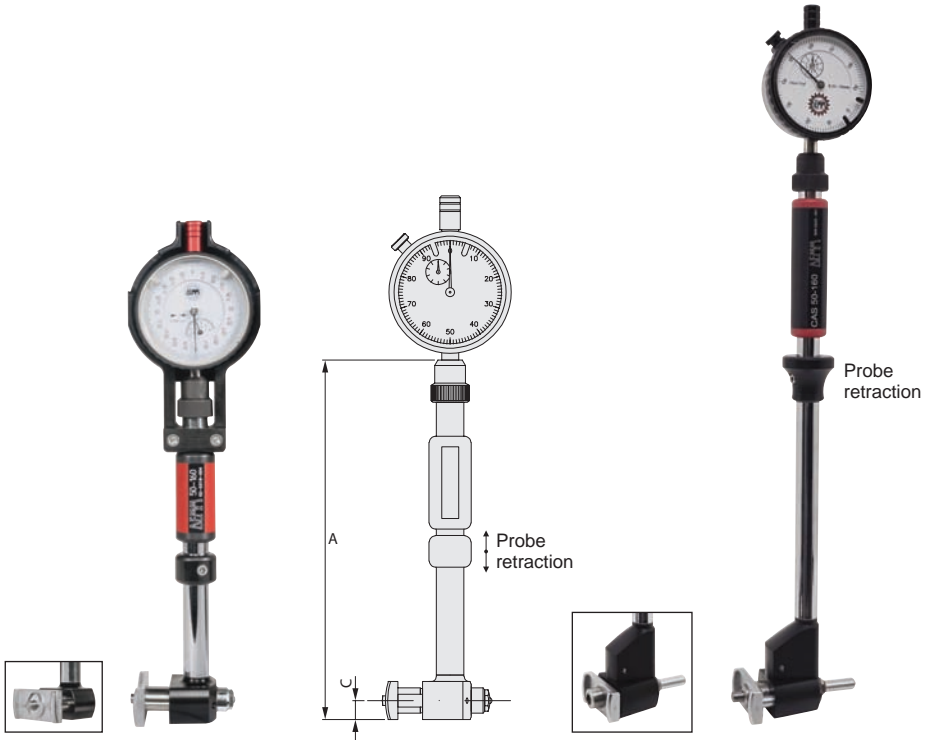
Item No.	Description	Price EUR
842.165	Dial indicator tester	
<b>Option:</b> 909.900	Digital micrometer head	



## DEMM Aleso RC/CAS internal measuring instruments

Internal measuring instruments for measuring cylindrical bores and form deviations such as roundness and cylindricity compared to standards such as setting rings. The possibility to retract the probe makes the two-point internal measuring instrument easy to insert into the product without any damage.

- Measuring range: 30 - 300 mm.
- Read-out depends on the type of dial indicator or measuring probe.
- Accuracy:  $\pm 0.001$  mm.
- Repeatability: 0.001 mm.
- Clamping shaft:  $\varnothing 8$  mm.
- Including standard dial indicator 0 - 10 mm / 0.01 mm /  $\varnothing 60$  mm.
- Self-centering bridge.
- Delivery in a wooden case.
- Extensions available on request.

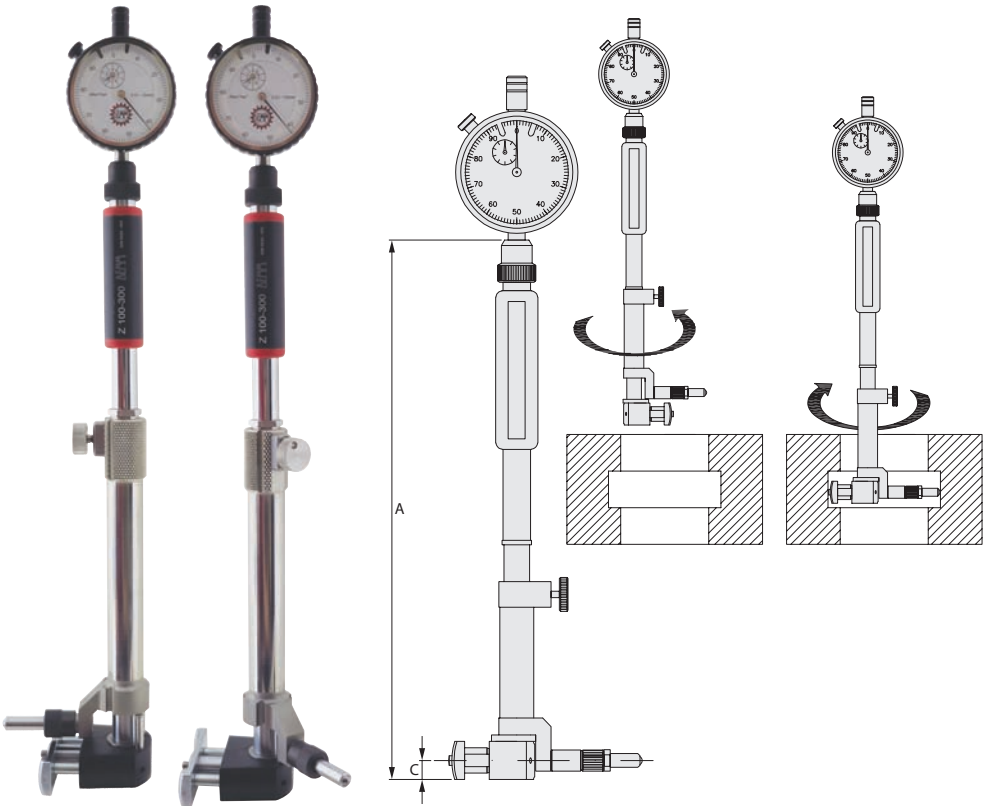


Item No.	Measuring range/mm	Effective measuring range/mm	A mm	C mm	Number of probes	Price EUR
842.166	30 - 100	2.3	165	7	5	
842.167	50 - 160	3.3	170	9	6	
842.168	100 - 300	3.5	245	10	6	
842.169	50 - 160	6.0	305	9	6	

**DEMM Aleso Z internal measuring instruments with fold-away probe for groove measurements**

Also available is the Aleso two-point inside gauge with a fold-away probe. This makes it possible to insert the two-point gauge in a product with a much smaller opening.

- Measuring range: 50 - 300 mm.
- Read-out depends on the type of dial indicator or measuring probe.
- Accuracy:  $\pm 0.002$  mm.
- Repeatability: 0.001 mm.
- Clamping shaft:  $\varnothing 8$  mm.
- Including standard dial indicator 0 - 10 mm / 0.01 mm /  $\varnothing 60$  mm.
- Self-centering bridge.
- Delivery in a wooden case.
- Extensions available on request.

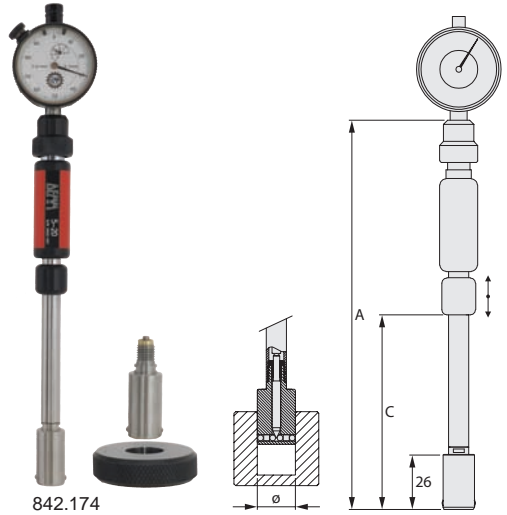


Item No.	Measuring range/mm	Effective measuring range/mm	Minimum opening/ $\varnothing$ mm	A mm	C mm	Number of probes	Price EUR
842.170	50 - 160	3.3	50	255	9	6	
842.171	100 - 300	3.5	75	350	10	6	

## DEMM EFESO and EFESO Plus measuring mandrels

DEMM's measuring mandrels are very suitable for checking boreholes with high precision. Measurements can be done fast and highly repetitive because there is no need to search for the reversal point. The probe tips are retractable for proper insertion in the product without damage. The standard EFESO measuring mandrels can be ordered as a set and have a probe travel of 0.5 mm on measuring range 5 - 10 mm, and a probe travel of 1 mm on measuring range 10 - 20 mm. Via an optional digital dial indicator, wireless as well as wired data transfer to, for example, Microsoft Excel is possible.

- Measuring range: 5 - 20 mm.
- Graduation: 0.01 mm.
- Accuracy:  $\pm 0.002$  mm.
- Repeatability:
  - EFESO 0.002 mm
  - EFESO Plus 0.001 mm.
- Interchangeable measuring mandrels.
- Retractable measuring inserts.
- Depth of the measuring inserts compared to the bottom of the mandrel:
  - 2 mm (range 5 - 10 mm)
  - 3 mm (range 10 - 20 mm).
- Including standard dial indicator 0 - 10 mm / 0.01 mm /  $\varnothing 40$  mm.
- Delivery in a wooden case.
- Measuring mandrels EFESO Plus to be ordered separately.

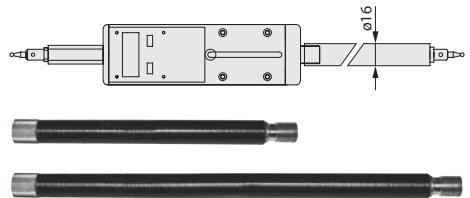
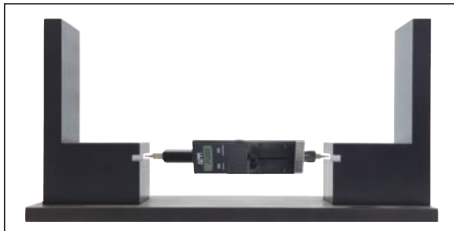
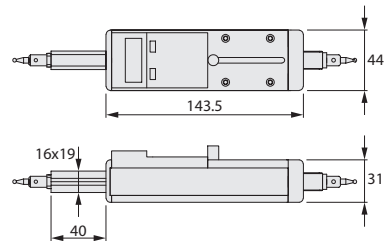


Item No.	Measuring range/mm	Probe travel mm	A mm	C mm	Number of measuring heads	Price EUR
<b>EFESO set</b>						
842.172	5 - 10	0.5	145	70	10	
842.173	10 - 20	1.0	160	70	10	
<b>EFESO Plus base instrument</b>						
842.174	5 - 20	0.2	180	90	0	

## DEMM Mitra internal measuring instruments

The Mitra internal measuring instrument has the function of a stick micrometer, however, it is equipped with a spring system meaning that the diameter can be read directly. Various probing points are available making it also possible to measure in deeper and narrower grooves. Inserts are also available for the flanking diameter of internal threads. With extensions made out of carbon fiber, a diameter of up to 1500 mm can be achieved.

- Measuring range: 125 - 1500 mm.
- Graduation: 0.01 mm.
- Accuracy:  $\pm 0.01$  mm.
- mm/inch conversion.
- Opto/USB data output.
- On/off switch.
- Preset.
- Constant measuring force.
- Travel: 50 mm.
- Protection: IP67.
- Extensions made out of carbon fiber.
- Including standard inserts of  $\varnothing 3$  mm.
- Delivered in a wooden case with a manufacturer measuring report.
- Power supply: 1 battery type CR2032.
- Various inserts available. Also for screw threads.



Item No.	Measuring range/mm	Price EUR
842.176	125 - 155/ 800	
842.175	200 - 250/ 800	
838.721	250 - 350/1500	
<b>Option:</b>		
495.157	Battery type CR2032	

### Extensions

Item No.	Extension mm	Price EUR
838.722	50	
838.723	100	
838.724	200	
838.725	300	

## DEMM Big Mitra internal measuring instrument

Universal internal measuring instrument made of stainless steel and aluminium with a measuring range of up to 3000 mm using optional extensions.

- Measuring range: 300 - 400 mm (3000 mm with extensions).
- Resolution: 0.01 mm.
- Accuracy:  $\pm 0.01$  mm.
- mm/inch conversion.
- RS232C data output.
- On/off switch.
- Measuring base delivered with 2 spring accessories.
- Preset.
- Min/max function.
- Travel: 100 mm.
- Protection: IP67.
- Extensions made out of carbon fiber.
- Including standard inserts of  $\varnothing 3$  mm.
- Delivered in a wooden case with a manufacturer measuring report.
- Power supply: 1 battery type CR2032.
- Various inserts available. Also for screw threads.



### Extensions

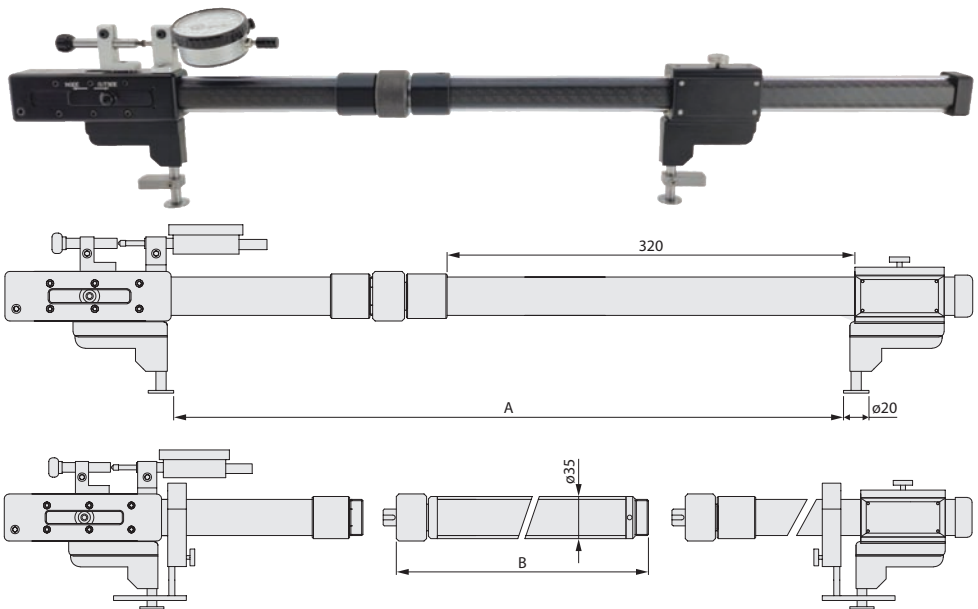
Item No.	Description	Price EUR
842.177	Internal micrometer 300 - 400/3000 mm	
<b>Option:</b> 495.157	Battery type CR2032	

Item No.	Extension mm	Price EUR
842.178	100	
842.179	200	
842.180	300	
842.181	500	
842.182	1000	

## DEMM Protos universal gauge

Universal measuring instrument based on a carbon tube with one fixed and one movable holder for the measuring arms. The measuring direction is reversible. This allows both internal and external measurements to be carried out. The Protos is set on the Protos 600 base unit gauge without extensions. Then the calibrated extensions can be added without having to readjust the gauge. The calibrated value is marked on the extensions. This allows diameters up to 3 meters to be determined.

- Measuring range: 250 - 3000 mm.
- Graduation: 0.01 mm.
- Repeatability: 0.01 mm/1000 mm.
- Insert thread: 8 mm.
- Reversible measuring direction.
- Extendable up to 3 meters without readjustment.
- Base instrument: Includes analog dial indicator 0.01 mm with scale diameter 60 mm and probes equipped with measuring discs 20 mm and clamping shaft 8 mm.
- Delivered in a wooden case.
- Inserts available on request.



Item No.	Measuring range/mm	A mm	Price EUR
842.186	250 - 3000	540	
<b>Option:</b>			
842.190	Support surface with probe 8 mm		

### Extensions

Item No.	Extension B mm	Accuracy mm	Price EUR
842.187	300	±0.005	
842.188	500	±0.005	
842.189	1000	±0.01	

## DEMM Santorini and Digi Santorini screw thread depth gauges

The DEMM Santorini offers the possibility to quickly determine the depth of thread holes. After setting the preset value, the measuring head only needs to be screwed into the product after which the depth can be read. Using the DEMM Digi Santorini, the value can be read digitally. For series production, a motorized version is also available.

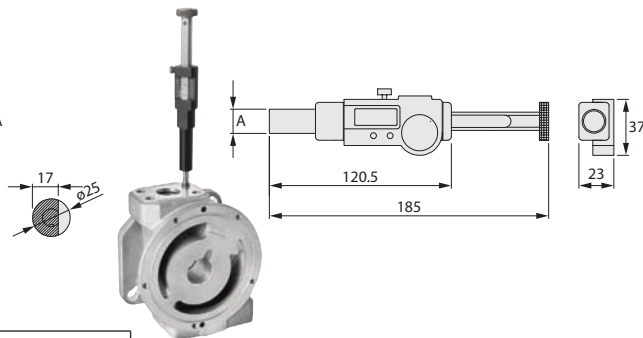
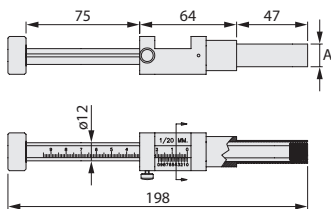
- Measuring range: 3x the thread diameter (for example, for M6 threads the maximum measurable depth is 18 mm).

### Santorini

- Graduation: 0.01 mm analog.
- Measuring heads: M3 - M20.

### Digi Santorini

- Resolution: 0.01 mm.
- mm/inch conversion.
- RS232 data output.
- Preset.
- Protection: IP67.
- Measuring heads digital M3 - M12.
- Power supply: 1 battery type CR2032.



### Santorini

Item No.	Thread	A/mm	Price EUR
842.249	M3	ø 15	
842.250	M4	ø 15	
842.251	M5	ø 15	
842.252	M6	ø 15	
842.253	M8	ø 15	
842.254	M10	ø 15	
842.255	M12	ø 15	
842.256	M14	ø 20	
842.257	M16	ø 20	
842.258	M18	ø 25	
842.259	M20	ø 25	

### Digi Santorini

Item No.	Thread	A/mm	Price EUR
842.242	M3	ø 16	
842.243	M4	ø 16	
842.244	M5	ø 16	
842.245	M6	ø 16	
842.246	M8	ø 16	
842.247	M10	ø 16	
842.248	M12	ø 16	
<b>Option:</b>			
495.157	Battery type CR2032		

## DEMM IRIS-H digital internal measuring instruments

DEMM's digital internal measuring instrument is characterized by its stable design providing extra accuracy. By means of a fixed probe and one operated by spring force, an inside diameter can easily be determined. The interchangeable probe tips also allow measurements in deeper grooves. Multiple leg lengths are available for various measuring depths. The clearly readable display has a data output allowing transfer of measurements to, for example, Microsoft Excel. Also available is a measuring table in which the inside gauge can be placed at the correct height and also provides additional stability.

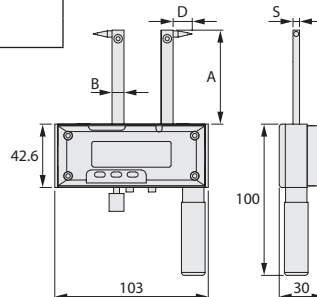
- Measuring range: 26 - 100 mm.
- Resolution: 0.01 mm.
- mm/inch conversion.
- Opto/USB data output.
- Preset.
- Constant measuring force.
- Travel: 24 mm.
- Protection: IP67.
- Standard supplied with setting gauge (842.194) and probe tips (842.198/199/201/202/204).
- Delivery in a wooden case with a manufacturer measuring report.
- Power supply: 1 battery type CR2032.
- Various measurement depths available.
- Various probe tips available.



Item No.	Measuring range/mm	A mm	B mm	S mm	Price EUR
842.191	26 - 100	60	8	4.5	
842.192	26 - 100	80	10	4.5	
842.193	26 - 100	120	12	4.5	
<b>Options:</b>					
495.157	Battery type CR2032				
842.194	Setting gauge (included)				

### Separate probe tips (included)

Item No.	Measuring range/mm	D mm	Price EUR
842.198	26 - 50	5	
842.199	36 - 60	10	
842.201	46 - 70	15	
842.202	56 - 80	20	
842.204	76 - 100	30	



## DEMM IRIS-HE digital external measuring instruments

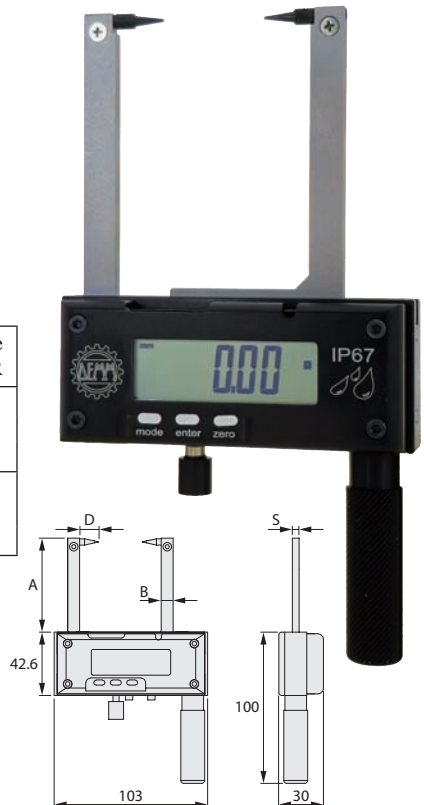
DEMM's digital external measuring instrument is characterized by its stable design which provides additional accuracy. By means of a fixed probe and one operated by spring force, an external diameter can be easily determined. The interchangeable probe tips also allow measurements in deeper grooves. Multiple leg lengths are available for various measuring depths. The clearly readable display has a data output allowing transfer of measurements to, for example, Microsoft Excel.

- Measuring range: 0- 74 mm.
- Resolution: 0.01 mm.
- Accuracy:  $\pm 0.01$  mm.
- mm/inch conversion.
- Opto/USB data output.
- Preset.
- Constant measuring force.
- Travel: 24 mm.
- Protection: IP67.
- Standard supplied with setting gauge (842.194) and probe tips (842.198/199/201/202/204).
- Delivery in a wooden case with a manufacturer measuring report.
- Power supply: 1 battery type CR2032.
- Various measurement depths available.
- Various probe tips available.

Item No.	Measuring range/mm	A mm	B mm	S mm	Price EUR
842.208	0- 74	60	8	4.5	
842.209	0- 74	80	10	4.5	
842.217	0- 74	120	12	4.5	
<b>Option:</b>					
495.157	Battery type CR2032				
842.194	Setting gauge (included)				

### Separate probe tips (included)

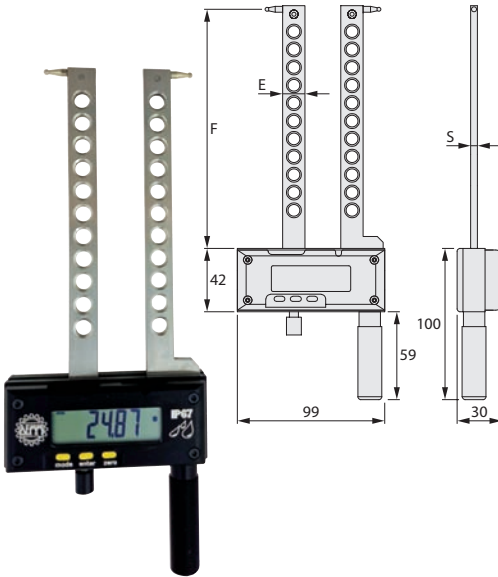
Item No.	Measuring range/mm	D mm	Price EUR
842.198	26- 50	5	
842.199	36- 60	10	
842.201	46- 70	15	
842.202	56- 80	20	
842.204	76- 100	30	



## DEMM IRIS IK digital internal measuring instruments for large workpieces

This digital internal measuring instrument from DEMM for larger diameters is characterized by its stable design providing extra accuracy. By means of a fixed probe and one operated by spring force, an inside diameter can be easily determined. Interchangeable probe tips also allow measurements in deeper grooves. Multiple leg lengths are available for various measuring depths. The clearly readable display has a data output allowing transfer of measurements to, for example, Microsoft Excel.

- Measuring range: 44 - 138 mm.
- Resolution: 0.01 mm.
- Accuracy:  $\pm 0.01$  mm.
- mm/inch conversion.
- Opto/USB data output.
- Preset.
- Constant measuring force.
- Travel: 24 mm.
- Protection: IP67.
- Standard supplied with probe tips 3 mm (A).
- Delivery in a wooden case with a manufacturer measuring report.
- Power supply: 1 battery type CR2032.
- Various measurement depths available.
- Various probe tips available.



### Optional probe extensions

Item No.	Length mm	Price EUR
852.465	10/B	
852.466	20/C	
852.467	30/D	

Item No.	Measuring range mm	A mm	B mm	C mm	D mm	E mm	F mm	S mm	Price EUR
842.218	44 - 128	44 - 68	64 - 88	84 - 108	104 - 128	10	80.5	4.5	
842.219	48 - 132	48 - 72	68 - 92	88 - 112	108 - 132	12	120.5	4.5	
842.220	54 - 138	54 - 78	74 - 98	94 - 118	114 - 138	15	160.5	4.5	

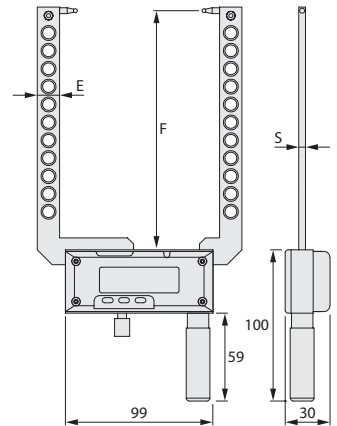
#### Option:

495.157 Battery type CR2032

## DEMM IRIS EK digital external measuring instruments for large workpieces

This digital external measuring instrument from DEMM for larger diameters is characterized by its stable design providing extra accuracy. By means of a fixed probe and one operated by spring force, an external diameter can be easily determined. Interchangeable probe tips also allow measurements in deeper grooves. Multiple leg lengths are available for various measuring depths. The clearly readable display has a data output allowing transfer of measurements to, for example, Microsoft Excel.

- Measuring range: 0- 115 mm.
- Resolution: 0.01 mm.
- Accuracy:  $\pm 0.01$  mm.
- mm/inch conversion.
- Opto/USB data output.
- Preset.
- Constant measuring force.
- Travel: 24 mm.
- Protection: IP67.
- Standard supplied with probe tips 3 mm (A).
- Delivery in a wooden case with a manufacturer measuring report.
- Power supply: 1 battery type CR2032.
- Various measurement depths available.
- Various probe tips available.



### Optional probe extensions

Item No.	Length mm	Price EUR
852.465	10/B	
852.466	20/C	
852.467	30/D	

Item No.	Measuring range mm	A mm	B mm	C mm	D mm	E mm	F mm	S mm	Price EUR
842.221	0- 84	60- 84	40-64	20-44	0-24	10	80.5	4.5	
842.222	0- 84	60- 84	40-64	20-44	0-24	12	120.5	4.5	
842.223	0- 84	60- 84	40-64	20-44	0-24	15	160.5	4.5	
842.224	0-115	91-115	65-91	39-65	13-39	15	160.5	4.5	

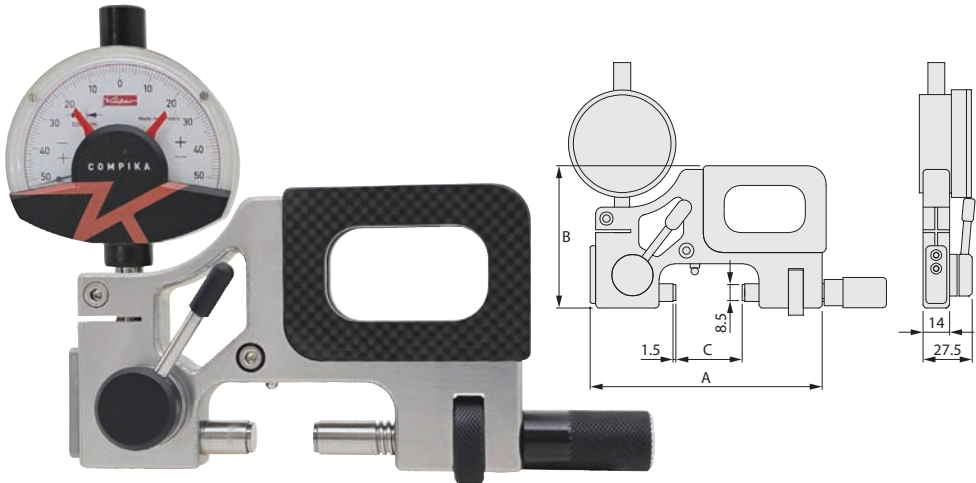
#### Option:

495.157 Battery type CR2032

## DEMM MINI APOLLO MD tolerance micrometers

The DEMM APOLLO micrometer features a sturdy frame and a handle made of carbon fiber to reduce the influence of heat. The constant measuring force ensures stable measured values. The retraction lever and adjustable support allow measurements to be taken quickly and with extreme accuracy.

- Measuring range: 0- 100 mm.
- Repeatability: 0.001 mm.
- Measuring force: 4 N.
- Travel: 2 mm.
- Adjustable tolerance markers.
- Adjustable support point.
- Tungsten carbide measuring faces  $\varnothing 8.5$  mm.
- Handle made from carbon fiber.
- Delivery excluding dial indicator.

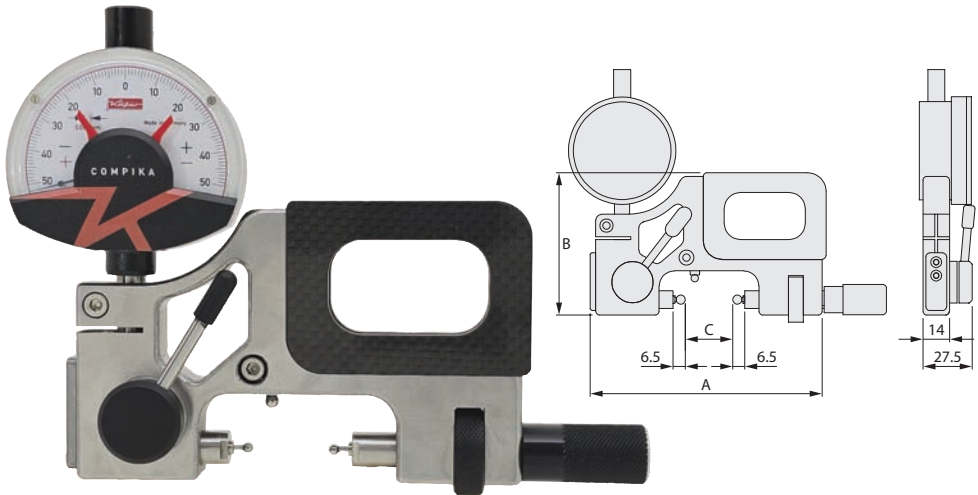


Item No.	Measuring range/mm	A mm	B mm	C mm	Price EUR
842.233	0- 30	123	76	30	
842.234	30- 60	153	94	60	
842.235	60- 100	193	114	100	
<b>Option:</b>					
852.360	Dial indicator 0.1 mm, graduation 0.001 mm				

## DEMM MINI APOLLO PI tolerance micrometers with interchangeable inserts

The DEMM APOLLO micrometer features a sturdy frame and a handle made of carbon fiber to reduce the influence of heat. The constant measuring force ensures stable measured values. The retraction lever and adjustable support allow measurements to be taken quickly and with extreme accuracy.

- Measuring range: 0 - 90 mm.
- Repeatability: 0.001 mm.
- Measuring force: 4 N.
- Travel: 2 mm.
- Insert shaft:  $\varnothing 3.5$  mm.
- Adjustable tolerance markers.
- Adjustable support point.
- Interchangeable inserts.
- Standard supplied with inserts  $\varnothing 3$  mm.
- Handle made from carbon fiber.
- Delivery excluding dial indicator.

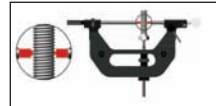
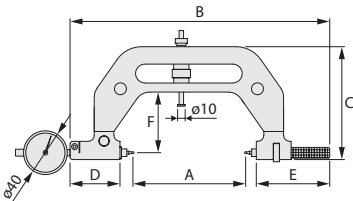


Item No.	Measuring range/mm	A mm	B mm	C mm	Price EUR
842.236	0 - 25	123	76	25	
842.237	25 - 50	153	94	55	
842.238	50 - 90	193	114	95	
<b>Option:</b>					
852.360	Dial indicator 0.1 mm, graduation 0.001 mm				

## DEMM APOLLO micrometers with adjustable anvil and dial indicator

Fully carbon fiber micrometer with adjustable anvil. By means of the probe lever and the adjustable support, measurements can be taken quickly and extremely accurately. An optional digital dial indicator allows data transfer to, for example, Microsoft Excel.

- Measuring range: 0 - 800 mm.
- Measuring force: 10 - 30 N.
- Travel: 5 mm.
- Insert shaft:  $\varnothing 3.5$  mm.
- Clamping shaft dial indicator:  $\varnothing 8$  mm.
- Measuring range dial indicator: 5 mm.
- Graduation (dial indicator): 0.01 mm.
- Probe is retractable by means of a lever.
- Adjustable support point.
- Interchangeable inserts.
- Standard supplied with inserts  $\varnothing 3$  mm.
- Handle made from carbon fiber.
- Including analog dial indicator 0.01 mm.
- Delivery in a wooden box.
- Other inserts available on request.



Micrometer stand

Screw thread measurement

Gear tooth measurement

Item No.	Measuring range A/mm	B mm	C mm	D mm	E mm	F mm	Repeatability mm	Measuring force/N	Price EUR
840.026	0 - 50	247	95	66	97	30	0.001	10	
839.882	50 - 100	297	124	66	97	55	0.001	20	
840.776	100 - 150	347	150	66	97	80	0.001	20	
842.225	150 - 200	397	174	66	97	105	0.001	20	
839.089	200 - 250	447	210	66	97	130	0.001	20	
839.086	250 - 300	497	234	66	97	155	0.002	20	
839.087	300 - 350	547	260	66	97	180	0.002	20	
842.226	350 - 400	597	284	66	97	205	0.003	20	
842.227	400 - 450	647	310	66	97	230	0.003	20	
842.228	450 - 500	707	374	66	97	255	0.003	20	
842.229	500 - 600	960	437	95	230	305	0.005	30	
842.230	600 - 700	1010	487	95	230	355	0.005	30	
842.231	700 - 800	1060	537	95	230	405	0.005	30	

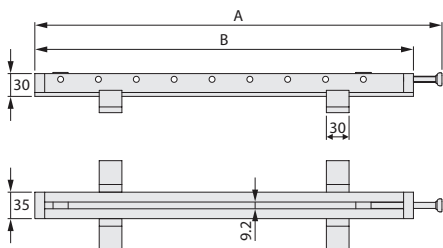
**Option:**

842.232 Support for APOLLO

## DEMM ORFEO gauge block holders

The DEMM ORFEO gauge block holder is designed to setup both small and large internal and external dimensions. The precision clamping system allows gauge blocks to be easily assembled to the desired nominal size. By means of the supplied clamping pieces, measuring tools can be adjusted for both internal and external measurements.

- Setup range: 0- 1500 mm.
  - Precision clamping system.
  - Fixing clamps included.
  - 2 support feet included.
  - Delivery in a wooden box.
- Can be used vertically using the optional base and support for two-point internal measuring instruments.



Item No.	Adjustable up to/mm	A mm	B mm	Price EUR
842.239	150	340	300	
839.547	250	440	400	
838.982	450	640	600	
838.853	750	940	900	
842.240	950	1140	1100	
840.513	1150	1340	1300	
840.423	1450	1640	1600	

**Options:**

- 839.595 Base
- 841.448 Support for two-point internal measuring instruments



Example for screw thread

## Product range

Schut offers an extensive range of Filetta Economy Line measuring equipment, such as calipers, micrometers, dial indicators, rulers, measuring stands, squares, straight edges, surface plates, angle measuring instruments and microscopes.

Besides these we offer products of well-known producers like Magnescale (electronic scales, gauges and display units), TESA, Mitutoyo (measuring instruments), Fisso (dial indicator stands), Käfer and Peacock (dial indicators), Witte (Alufix fixture system), Peak (magnifiers and microscopes), LMW (gauges), Schwenk and Kroepin (internal/external measuring instruments), Dino-Lite (digital microscopes) and Renishaw (probe systems).

Products developed and produced by Schut Geometrical Metrology are the 3D CNC coordinate measuring machines DeMeet (video, touch probe and multi-sensor model) and product fixture systems.

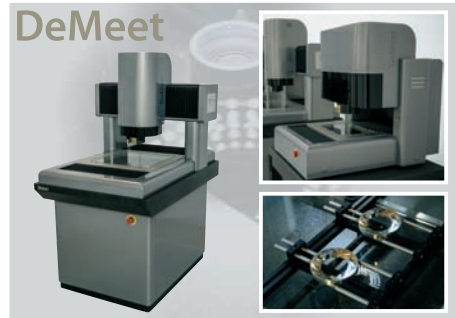
## Regional coverage

Schut Geometrical Metrology (Schut Geometrische Meettechniek bv) is an international organization, founded in 1949, with five offices throughout Europe, specialized in the development, production and sales of precision measuring instruments and systems.

Service and sales activities are performed by our company group or through an international network of experienced distributors.

## General catalog 2025/2026

On request we can send you the Dutch, English, French, German or Swiss version of our catalog.



Catalog Online  
English



*The listed prices are excl. VAT. Prices and specifications are subject to change.*

*The terms of sales and delivery as mentioned in the catalog Measuring instruments and systems 2025/2026 apply.*

## Schut Geometrische Meettechniek bv (Schut Geometrical Metrology)

Duinkerkenstraat 21  
9723 BN Groningen  
The Netherlands  
Tel: +31 (0)50 5 877 877  
E-mail: SchutNL@Schut.com

ISO 9001